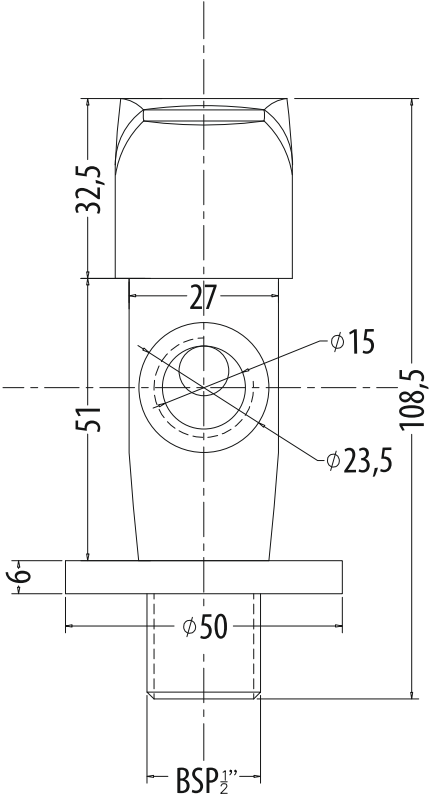
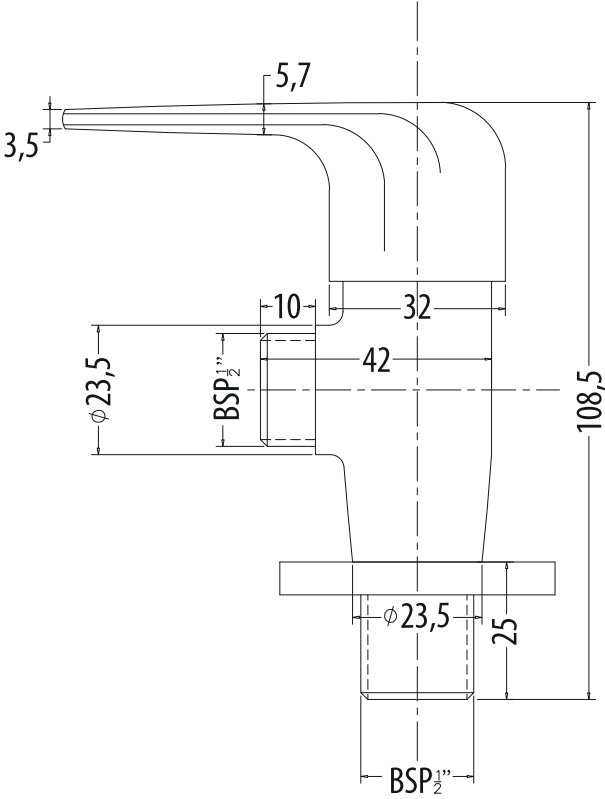




Unit : mm



ASTER	
Catalogue No.	: Q113191120
Item Description	: Angle Valve
Product Raw Material	: Brass
ALL DIMENSIONS ARE IN MM	
Scale	NTS
Sheet Size	A4

This Drawing remain the property of QUEO. It must not, even in part, be reproduced or may available to unauthorised person without express concerned of QUEO.