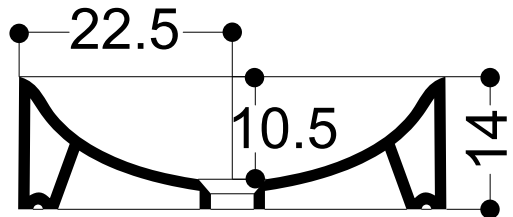
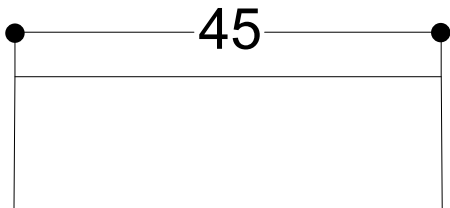
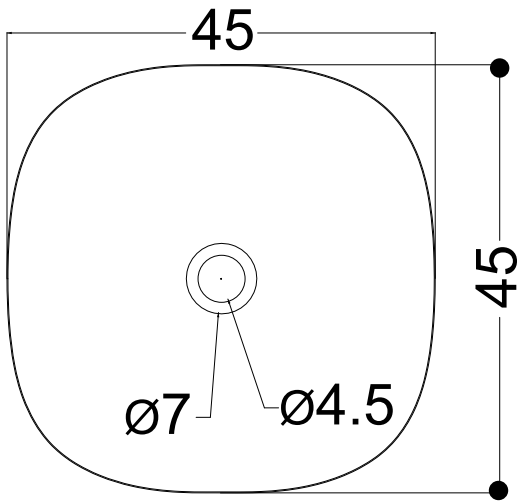




Unit : cm



Products subject to technical modifications & design deviations
Specification subject to change without prior notice

F-MISURA

Catalogue No. : Q667140110

Item Description : Over The Counter Basin 450 mm

Size : L X W X H
45 X 45 X 14 cm

Unit : cm