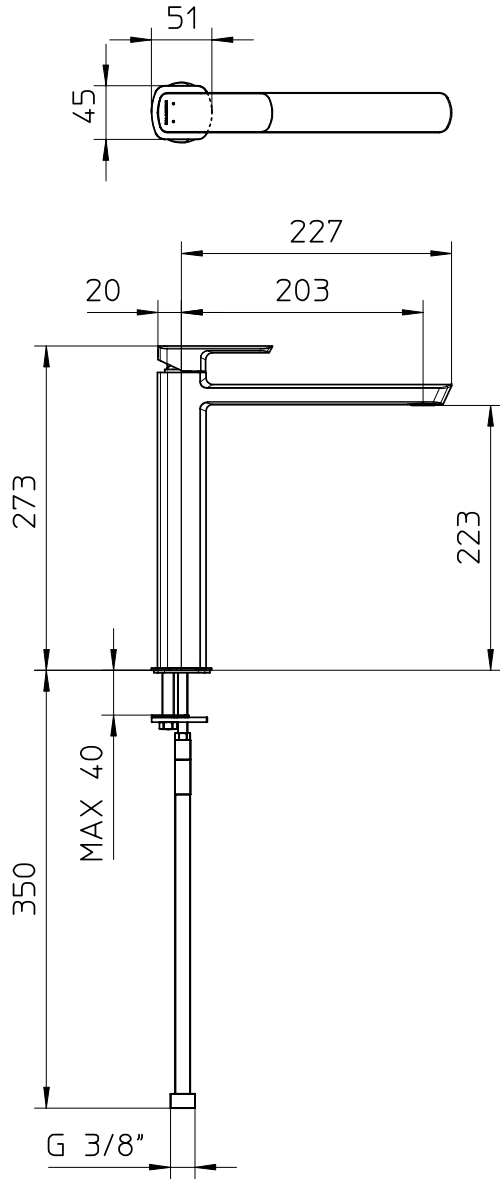




Unit : mm



| | |
|---------------------------------------|--|
| F-MISURA (DARK BRUSHED NICKEL) | |
| Catalogue No. | : Q663114626 |
| Item Description | : Single Lever Tall Basin Mixer |
| Product Raw Material | : Brass |
| ALL DIMENSIONS ARE IN MM | |
| Scale | NTS |
| Sheet Size | A4 |
| | |

This Drawing remain the property of QUEO. It must not, even in part, be reproduced or may available to unauthorised person without express concerned of QUEO.