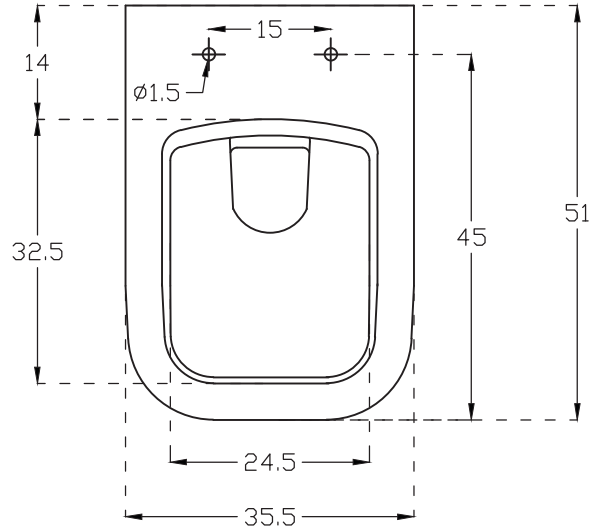
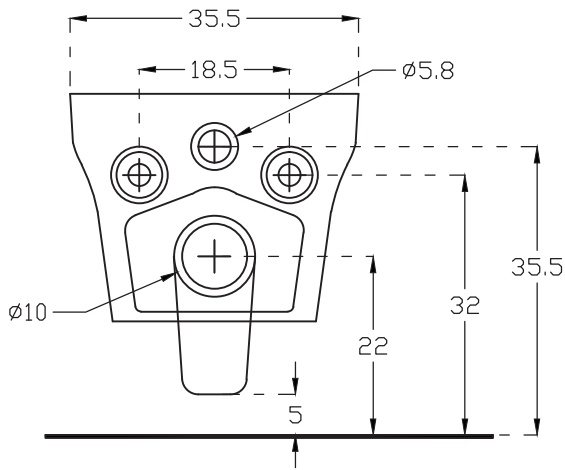




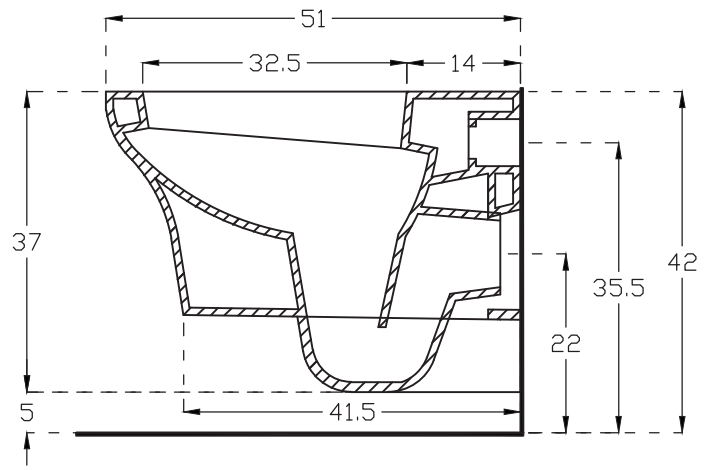
Unit : cm



PLAN VIEW



BACK VIEW



SECTIONAL VIEW

FEDRA	
Catalogue No.	: Q317240210
Item Description	: EWC WH Fedra Rimfree
Size	: L X W X H
	51 X 35.5 X 37 cm
Unit	: cm